



FW Series Gas Mixing Panels

The BSL FW Gas Mixing Panels are a wall or frame mounted gas mixing panel, designed to mix 2 gases, with up to 3 mixed gas outlets. The FW Gas Mixers are commonly used in applications such as food/beverage packing and dispensing, fabrication and welding and other applications.

FW Gas Mixing Panel highlights

- Available in either pre-set mixtures (determined by the customer) or adjustable.
- Mechanical design so no electrical supply needed.
- No buffer tank needed.
- Safety interlock to protect your process.
- Gas pressure balancing for constant flow.
- Accurate Gas Mixing.
- If a supply gas is lost, no gas will go through the panel.
- Simple to install.
- Easy to operate.
- Robust and reliable.
- A very established product in our range.



Would you like a quick quotation ?

Tel; ++44 (0) 1634 661100 solutions@bslgastech.com www.bslgastech.com
BSL Gas Technologies Ltd 101 Laker Road, Rochester Kent UK ME1 3QX



BSL FW Series Gas Mixing Panels



General details

Product name	FW Series	Dimensions mm	385 x 500 x 190
Product details	Gas Mixing Panel	Weight Kg	14 to 22
Supply Gases	All commonly used gases and some speciality gases	Capacity	8 bar g supply/ 3.5 bar g mixed gas
Outlet Options	Up to 3 mixed gas ratios	Operating Temperature	-20°C to +50 °C
Manufactured and supported by	BSL Gas Technologies Ltd 101 Laker Road Rochester Airport Industrial Est. Rochester, Kent, UK. ME1 3QX	Inlet and Outlet connections	G1/2
Telephone	+44 (0)1634 661100	Component Gas Nominal Concentration %	Tolerances specified in BS EN ISO 14175:2008
Facsimile	+44 (0)1634 671111	>5	+10% of the nominal value
Email	solutions@bslgastech.com	1<5	+0.5% absolute
Website	www.bslgastech.com	<1	Not specified in the standard

Main features

Up to 3 mixed gas outlets.
Suitable for all common industrial gases.
Mechanical design so no electrical supply needed.
Gas pressure balancing for constant flow.
Safety interlock to protect your process.

Benefits

No buffer tank is needed.
Accurate gas mixing.
Reliable and robust panel.
Affordable.
Easy to install and operate.
If a supply gas is lost, no gas passes through the panel.

Models

Gases

Range

FW1	All common gases	25 m ³ /h
FW2	All common gases	50 m ³ /h
FW3	All common gases	100 m ³ /h

Do you have all the details you need ?

Tel; ++44 (0) 1634 661100 solutions@bslgastech.com www.bslgastech.com
BSL Gas Technologies Ltd 101 Laker Road, Rochester Kent UK ME1 3QX

Issue 001 February 2022

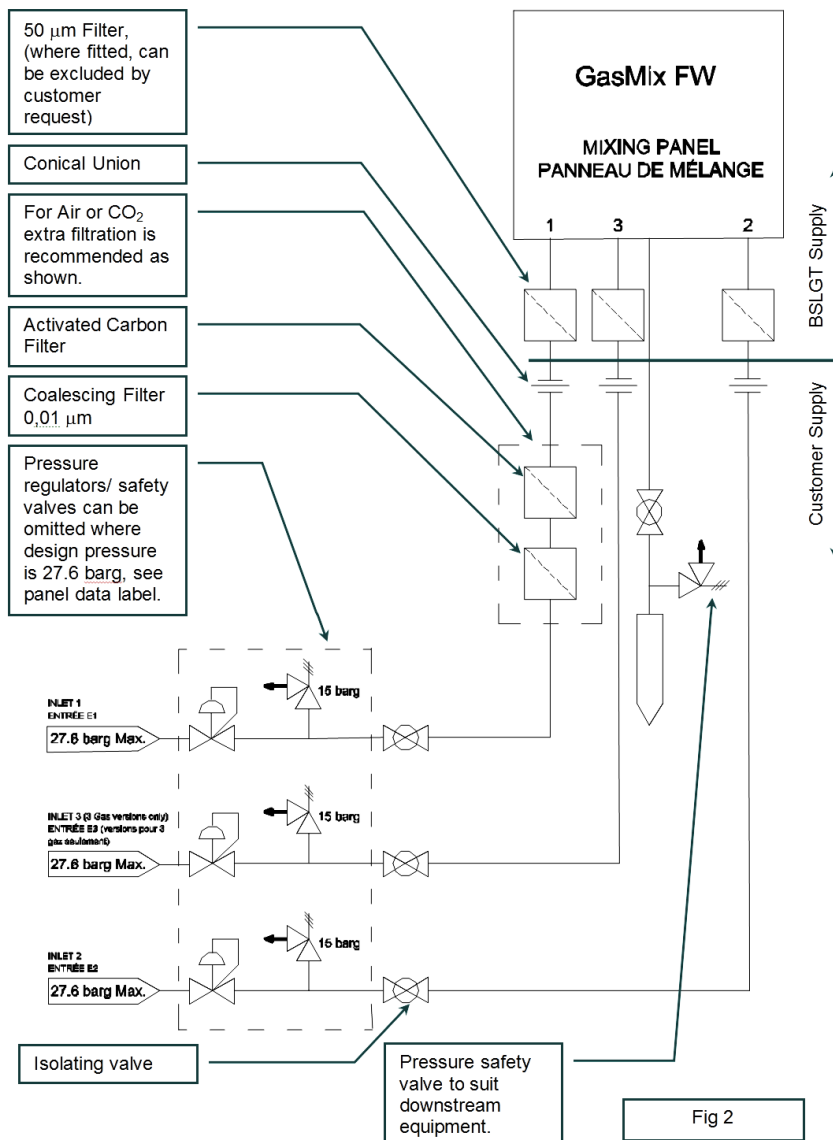


BSL FW Series Gas Mixing Panels



A typical installation...

The supply gases from liquid source or cylinder are filtered and fed to the FW Gas Mixing panel. The outlet of the gas mixing panel can be fed directly into a gas analyser to continuously monitor the mixed gas output or straight to your process...



BSL , effective, dependable, quality service!

Tel; ++44 (0) 1634 661100 solutions@bslgastech.com www.bslgastech.com
BSL Gas Technologies Ltd 101 Laker Road, Rochester Kent UK ME1 3QX

Issue 001 February 2022

